

eBOX560-880-FL-ECM

Fanless EtherCAT Master Controller with Intel® Core™ i5 & Celeron® Processor

Features

- Intel® Celeron® 2980U/ Core™ i5 4300U ULT SoC (Haswell)
- 204-pin DDR3L SO-DIMM, up to 8GB
- 1 EtherCAT port and 1 GbE LAN port
- Verified with IntervalZero EtherCAT solution KingStarIO
- Supports IntervalZero Windows real-time extension RTX64
- 1 RS-232/422/485 and 1 RS-232 port
- One 2.5" SATA HDD drive bay and mSATA interface
- 1 PCI Express Mini Card slot and 4 USB 3.0 ports
- DisplayPort and HDMI with dual-view supported



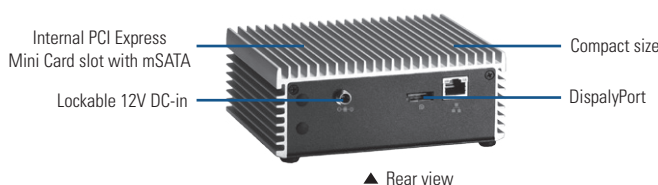
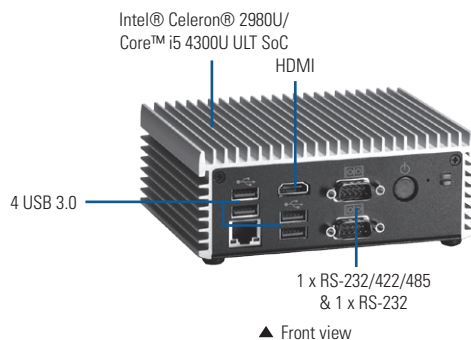
Introduction

The eBOX560-880-FL-ECM EtherCAT master controller is verified with IntervalZero EtherCAT Master middleware KingStar which is based on EtherCAT Master Stack (eg. Acontis) and IntervalZero real-time extension RTX. The high performance Intel® Core™-based EtherCAT master controller handles high-level machine control tasks in factory automation industry.

Acontis EC-Master supports standard protocols CoE, SoE, AoE and VoE as well as Distributed Clocks. IntervalZero Windows real-time extension RTX with a separate real-time scheduler transforms Windows® the general-purpose operating system into a fully functional RTOS that runs on multi-core hardware, delivering deterministic time control to allow Master controller and Slave device communication.

Specifications

Standard Color	Silver-Black
Construction	Aluminum extrusion and heavy-duty steel, IP40
CPU	Intel® Celeron® 2980U 1.6 GHz / Core™ i5 4300U 1.9 GHz ULT SoC onboard
System Memory	1 x 204-pin DDR3L-1600 SO-DIMM max. up to 8GB
Chipset	SoC Integrated
BIOS	AMI
System I/O Outlet	1 x RS-232/422/485 1 x RS-232 1 x DisplayPort 1 x HDMI 1 x EtherCAT port (Intel® i210AT) 1 x GbE port (Intel® i218LM) 4 x USB 3.0 2 x SMA type connector opening for antenna 1 x VDC 12V power input connector 1 x ATX power switch 1 x Reset button
Watchdog Timer	255 levels, 1~255 sec.
Storage	1 x 2.5" SATA HDD drive bay 1 x mSATA
Expansion Interface	1 x Full-size PCI Express Mini Card slot (USB + PCI Express signal)
System Indicator	1 x green LED for system power-on 1 x red LED for HDD active
Power Supply	Input AC 90-264V, AC 60W adapter with lock Output: DC 12V @ 5A
Operating Temperature	-20°C ~ +50°C (-4°F ~ +122°F) (with W.T. SSD)
Humidity	10% ~ 90%, non-condensing
Vibration Endurance	3 Grms with SSD™ (5-500Hz, X, Y, Z directions)
Dimensions	141.5 mm (5.57") (W) x 106 mm (4.17") (D) x 55 mm (2.17") (H)
Weight (net/gross)	0.8 kg (1.76lb)/ 1.5kg (3.31lb)
Certificate	CE
EOS Support	WE8S, WE7, Linux



Software Operability

Standard	
Operating System	Windows Embedded Standard 7 64 bit
Windows Extension	IntervalZero Windows realtime extension RTX64
Test Middleware	IntervalZero KingStar
EtherCAT Configurator	IntervalZero EtherCAT Configurator

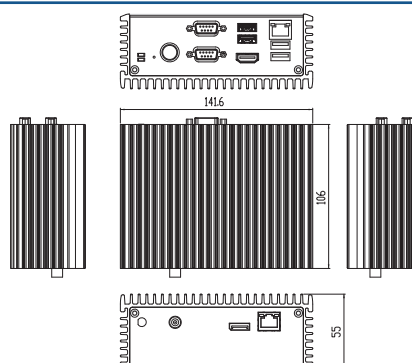
*Specifications and certifications are based on options and may vary.

Ordering Information

Standard	
eBOX560-880-FL-ECM-2980U-US	Fanless EtherCAT master controller with Intel® Celeron® 2980U processor, HDMI/DisplayPort, 2 GbE LANs, 4 USB 3.0, 2 COM, PCIe Mini Card, 60W AC/DC adapter and US power cord
eBOX560-880-FL-ECM-2980U-EU	Fanless EtherCAT master controller with Intel® Celeron® 2980U processor, HDMI/DisplayPort, 2 GbE LANs, 4 USB 3.0, 2 COM, PCIe Mini Card, 60W AC/DC adapter and EU power cord
eBOX560-880-FL-ECM-4300U-US	Fanless EtherCAT master controller with Intel® Core™ i5-4300U processor, HDMI/DisplayPort, 2 GbE LANs, 4 USB 3.0, 2 COM, PCIe Mini Card, 60W AC/DC adapter and US power cord
eBOX560-880-FL-ECM-4300U-EU	Fanless EtherCAT master controller with Intel® Core™ i5-4300U processor, HDMI/DisplayPort, 2 GbE LANs, 4 USB 3.0, 2 COM, PCIe Mini Card, 60W AC/DC adapter and EU power cord

*Specifications and certifications are based on options and may vary.

Dimensions



* All specifications and photos are subject to change without notice.